

# UNIT COOLER STANDARD FEATURES

## S-TYPE

- High efficient inner grooved copper tube (DIA. 3/8").
- Powder painted aluminum case.
- PVC TERMINAL BOX (IP66)
- Electric defrost
- Out-rotor motor fan for quiet operation (both noise and vibration reduced).
- Adapted HACCP standard by NSF approved painting for powder coating.



## MODEL NOMENCLATURE

S	0 2 0	M	1	2	5
Model	Equiv. HP	Temp. Range	Phase	Power	Hz
S	0 2 0 = 2.0 HP	M = Medium Temp.	1 = 1Ph	2 = 220V	5 = 50Hz
	0 3 0 = 3.0 HP	(-10 ~ -5°C)			
	0 4 0 = 4.0 HP	L = Low Temp.			
	0 5 0 = 5.0 HP	(-30 ~ -20°C)			
	0 7 5 = 7.5 HP				
	1 0 0 = 10.0 HP				
	1 2 0 = 12.0 HP				
	1 5 0 = 15.0 HP				
	2 0 0 = 20.0 HP				

# S Cooling Capacity & Electric Data - 50Hz

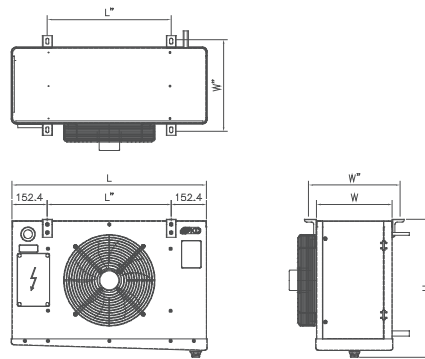
Nominal capacity R404A																			
Model	Fin	DT1=10K DT1=8K DT1=7K			Air	Air	Tube	Fan data			Connection			Defrost heater		Weight kg			
	spacing	t <sub>0</sub> =0°C	t <sub>0</sub> =-8°C	t <sub>0</sub> =-25°C	Surface	volume	throw	Sound	volume	Dia	Power input		Inlet	Outlet	Drain		Coil	Drain	Fan
	mm	W	W	W	m <sup>2</sup>	m <sup>3</sup> /h	m	dB(A)5m	dm <sup>3</sup>	Ø x St	W	Voltage	mm	mm	A		kW x 4	0.64kW x 2	-
S020M	6.5	2796	2074	1430	7.0	2628	12.0	39	1.9	350 × 1	135	220V 1Ph 50Hz	12.7	19.1	25	0.34kW x 4	0.64kW x 2	-	
S030M	6.5	3913	2909	2033	9.4	2539	12.0	39	2.6	350 × 1	135	220V 1Ph 50Hz	12.7	22.2	25	0.34kW x 4	0.64kW x 2	-	
S040M	6.5	5102	3819	2741	13.1	2739	12.0	39	3.5	350 × 1	135	220V 1Ph 50Hz	12.7	22.2	25	0.45kW x 4	0.80kW x 2	-	
S050M	6.5	7334	5492	3933	16.9	4855	14.0	42	4.3	350 × 2	270	220V 1Ph 50Hz	12.7	28.6	25	0.57kW x 4	0.96kW x 2	-	
S075M	6.5	12310	9268	6762	28.1	4632	14.0	42	7.2	350 × 2	270	220V 1Ph 50Hz	15.9	34.9	25	0.63kW x 10	1.04kW x 2	-	
S100M	6.5	17001	12840	9437	36.6	7200	15.0	47	9.1	400 × 2	380	220V 1Ph 50Hz	15.9	34.9	25	0.81kW x 10	1.28kW x 2	-	
S120M	6.5	18603	14069	10404	41.1	7344	15.0	47	10.3	400 × 2	380	220V 1Ph 50Hz	15.9	41.3	25	0.81kW x 10	1.28kW x 2	-	
S150M	6.5	26427	20019	14879	57.0	10872	16.0	49	14.0	400 × 3	570	220V 1Ph 50Hz	22.2	41.3	25	1.11kW x 10	1.68kW x 2	-	
S200M	6.5	35595	26962	20105	76.0	10534	16.0	49	18.6	400 × 3	570	220V 1Ph 50Hz	22.2	41.3	25	1.11kW x 10	1.68kW x 2	-	
S020L	8.5	2462	1828	1276	5.6	2650	12.0	39	1.9	350 × 1	135	220V 1Ph 50Hz	12.7	19.1	25	0.34kW x 4	0.64kW x 2	-	
S030L	8.5	3441	2566	1816	7.4	2539	12.0	39	2.6	350 × 1	135	220V 1Ph 50Hz	12.7	22.2	25	0.34kW x 4	0.64kW x 2	-	
S040L	8.5	5326	3992	2859	11.1	2338	12.0	39	3.9	350 × 1	135	220V 1Ph 50Hz	12.7	22.2	25	0.45kW x 4	0.80kW x 2	-	
S050L	8.5	6465	4853	3500	13.4	4899	14.0	42	4.3	350 × 2	270	220V 1Ph 50Hz	12.7	28.6	25	0.57kW x 4	0.96kW x 2	-	
S075L	8.5	10824	8164	5968	22.3	4677	14.0	42	7.2	350 × 2	270	220V 1Ph 50Hz	15.9	34.9	25	0.63kW x 10	1.04kW x 2	-	
S100L	8.5	14998	11335	8380	28.9	7224	15.0	47	9.1	400 × 2	380	220V 1Ph 50Hz	15.9	34.9	25	0.81kW x 10	1.28kW x 2	-	
S120L	8.5	16352	12387	9194	32.6	7368	15.0	47	10.3	400 × 2	380	220V 1Ph 50Hz	15.9	41.3	25	0.81kW x 10	1.28kW x 2	-	
S150L	8.5	23269	17652	13157	45.1	10908	16.0	49	14.0	400 × 3	570	220V 1Ph 50Hz	22.2	41.3	25	1.11kW x 10	1.68kW x 2	-	
S200L	8.5	33053	23777	17786	60.1	12390	16.0	49	18.6	400 × 3	570	220V 1Ph 50Hz	22.2	41.3	25	1.11kW x 10	1.68kW x 2	-	

- Air throw is determined the air velocity 0.25m/s

## S Dimensional Drawings

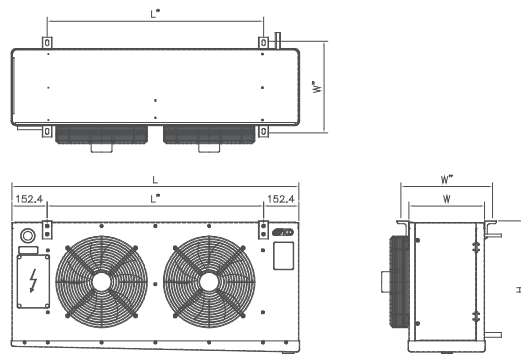
**Fig A. S020, S030, S040, S050**

Model	Fan Number	Outline dimension			Anchor size	
		L	W	H	L"	W"
S020	1	840	327	590	535	396
S030	1	840	327	590	535	396
S040	2	1040	327	590	735	396
S050	2	1240	327	590	935	396



**Fig B. S075, S100, S120, S150**

Model	Fan Number	Outline dimension			Anchor size	
		L	W	H	L"	W"
S075	2	1340	386	595	1035	455
S100	2	1640	386	595	1335	455
S120	2	1640	386	659	1335	455
S150	3	2140	386	659	1835	455
S200	3	2140	386	659	1835	455



## UNIT COOLER STANDARD FEATURES

### SDU-TYPE

- High efficient inner grooved copper tube (DIA. 3/8").
- Electric defrost (U-heater)
- Light weight aluminum case.
- Designed for light weight and compact
- Small and midium size cold room
- Round edge & Seamless drain panel for Leak-Free
- Front access terminal plate for easy to wiring service
- Machining processed venturi type of refrigerant distributor
- Specially designed FAN GUARD GRILL is available for option to increase air throw



### MODEL NOMENCLATURE

SDU	0 2 0	M	1	2	5
Model	Equiv. HP	Temp. Range	Phase	Power	Hz
SDU	0 2 0 = 2.0 HP	M = Medium Temp.	1 = 1Ph	2 = 220V	5 = 50Hz
	0 3 0 = 3.0 HP	(-10 ~ -5°C)	3 = 3Ph	3 = 380V	6 = 60Hz
	0 4 0 = 4.0 HP	L = Low Temp.			
	0 5 0 = 5.0 HP	(-30 ~ -20°C)			
	0 7 5 = 7.5 HP				
	1 0 0 = 10.0 HP				
	1 2 0 = 12.0 HP				
	1 5 0 = 15.0 HP				

# SDU Cooling Capacity & Electric Data - 50Hz

Nominal capacity R404A

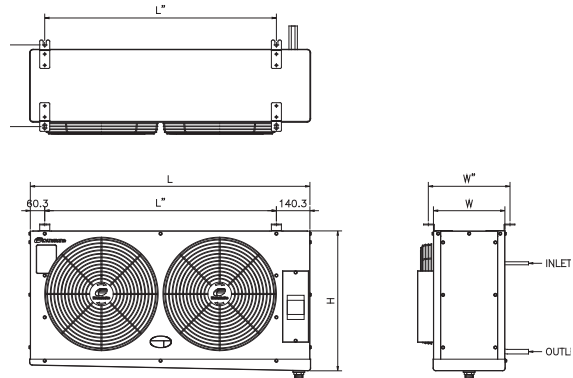
Model	Fin			Air Surface	Air volume	Air throw	Air Sound	Tube volume	Tube Dia	Fan data		Connection			Defrost heater		Weight		
	spacing	DT1=10K DT1=8K DT1=7K								Power input	Inlet	Outlet	Drain	Coil	Drain	Fan			
		t <sub>0</sub> =0°C	t <sub>0</sub> =8°C															t <sub>0</sub> =25°C	W
SDU020M	6.5	2713	2018	1404	7.2	2237	10.0	45	2.0	350 x 1	115	230V 1Ph 50Hz	12.7	19.1	25	0.80kW x 2	0.60kW x 1	-	22
SDU030M	6.5	3958	2953	2076	9.7	2455	10.0	43	2.7	400 x 1	122	230V 1Ph 50Hz	12.7	22.2	25	0.80kW x 2	0.60kW x 1	-	22
SDU040M	6.5	5095	3830	2758	13.7	2506	10.0	43	3.6	400 x 1	122	230V 1Ph 50Hz	12.7	22.2	25	1.08kW x 2	0.82kW x 1	-	27
SDU050M	6.5	7638	5736	4138	17.8	4881	12.0	46	4.6	400 x 2	244	230V 1Ph 50Hz	12.7	28.6	25	1.37kW x 2	1.03kW x 1	-	34
SDU075M	6.5	13402	10122	7448	31.1	4852	12.0	46	7.9	400 x 2	244	230V 1Ph 50Hz	15.9	34.9	25	1.29kW x 5	0.98kW x 1	-	48
SDU100M	6.5	17105	12929	9532	37.7	6854	13.0	48	9.5	450 x 2	460	380V 3Ph 50Hz	15.9	34.9	25	1.46kW x 5	1.10kW x 1	-	63
SDU120M	6.5	18469	13987	10348	41.8	6936	13.0	48	10.4	450 x 2	460	380V 3Ph 50Hz	15.9	41.3	25	1.62kW x 5	1.20kW x 1	-	76
SDU150M	6.5	27364	20768	15479	61.1	10373	14.0	50	15.1	450 x 3	690	380V 3Ph 50Hz	22.2	41.3	25	2.17kW x 5	1.61kW x 1	-	101
SDU020L	8.5	2368	1766	1245	5.7	2244	10.0	45	2.0	350 x 1	115	230V 1Ph 50Hz	12.7	19.1	25	0.80kW x 2	0.60kW x 1	0.20kW x 1	22
SDU030L	8.5	3471	2599	1848	7.6	2455	10.0	43	2.7	400 x 1	122	230V 1Ph 50Hz	12.7	22.2	25	0.80kW x 2	0.60kW x 1	0.20kW x 1	22
SDU040L	8.5	4413	3327	2416	10.8	2506	10.0	43	3.6	400 x 1	122	230V 1Ph 50Hz	12.7	22.2	25	1.08kW x 2	0.82kW x 1	0.26kW x 1	27
SDU050L	8.5	6699	5043	3667	14.1	4881	12.0	46	4.6	400 x 2	244	230V 1Ph 50Hz	12.7	28.6	25	1.37kW x 2	1.03kW x 1	0.34kW x 1	33
SDU075L	8.5	11721	8878	6562	24.6	4852	12.0	46	7.9	400 x 2	244	230V 1Ph 50Hz	15.9	34.9	25	1.29kW x 5	0.98kW x 1	0.31kW x 1	48
SDU100L	8.5	15031	11381	8432	29.8	6854	13.0	48	9.5	450 x 2	460	380V 3Ph 50Hz	15.9	34.9	25	1.46kW x 5	1.10kW x 1	0.36kW x 1	62
SDU120L	8.5	16192	12272	9121	33.1	6956	13.0	48	10.4	450 x 2	460	380V 3Ph 50Hz	15.9	41.3	25	1.62kW x 5	1.20kW x 1	0.39kW x 1	76
SDU150L	8.5	23992	18217	13629	48.4	10404	14.0	50	15.1	450 x 3	690	380V 3Ph 50Hz	22.2	41.3	25	2.17kW x 5	1.61kW x 1	0.56kW x 1	101

- Air throw is determined the air velocity 0.25m/s

## SDU Dimensional Drawings

**Fig A.** SDU020, SDU030, SDU040, SDU050

Model	Fan Number	Outline dimension			Anchor size	
		L	W	H	L"	W"
SDU020	1	735	299	614	535	342
SDU030	1	735	299	614	535	342
SDU040	1	950	299	614	750	342
SDU050	2	1170	299	614	970	342



**Fig B.** SDU075, SDU100, SDU120, SDU150

Model	Fan Number	Outline dimension			Anchor size	
		L	W	H	L"	W"
SDU075	2	1260	375	656	1060	417
SDU100	2	1410	375	688	1210	417
SDU120	2	1540	375	688	1340	417
SDU150	3	1800	375	815	1600	417

